

WibuBox/RU+

Article-No:
3032-06-xxx

Description

The WibuBox/RU+ is the WibuKey protection hardware for connection to the USB interface of PCs, Apple Macintosh and others. Encryption works with WibuKey algorithm 3 or 5 depending on the nonvolatile stored Standard Entry. This entry may have an additional entry – data, expiration date or limit counter. The WibuBox/RU+ has an additional 16 kbyte memory.

The communication is according to USB specifications. All data communication is realized by endpoint 0 control transfers with full speed (12 MBit). The USB interface guarantees trouble free communication even if many different devices are connected and easy implementation to any system. WibuKey driver software supports Windows 98/ME/2000/XP/Server2003, MacOS 8 and higher and all Linux distributions supporting USB. The WibuBox/RU+ needs WibuKey Runtime 4.10 or higher.

Technical Specification

- **Interface:** USB 1.1, USB V2.0 compliant and certified
- **Data retention:** 10 years at 25° C
- **Data endurance:** 100.000 write cycles
- **Power supply:** 5 V max.
- **Power Consumption:** ASIC 3507: 25 mA max. (typical 17 mA / 250 µA configured / unconfigured)
- **Temperature:** 0...55° C, non-condensing
- **MTBF (Mean Time Between Failures):** >3 Million hours
- **Lifetime:** 10 years typical
- **Case/Dimensions:** 54 mm x 16 mm x 8 mm
- **Weight:** 6 g

Ordering Information

P/N 3032-06-610:

WibuBox/RU+ with transparent turquoise blue case.
Other case variants on request.



Certificates

The WibuBox/RU+ is tested and qualified with the following standards:

■ CE-Conformity | European Certificates

Radiated emissions 150 kHz...6 GHz:

- EN 55022:2006 + A1:2007
- IEC/CISPR 22:2005, modified + A1:2005 limits for Class B equipment

Immunity: Radiated RF electromagnetic field, electrostatic discharge, injected currents (RF) unsymmetrical and fast transients (burst) unsymmetrical:

- EN 55024:1998 + A1:2001 + A2:2003
- IEC/CISPR 24:1997, modified + A1:2001 + A2:2002

The detailed test report from VDE Testing and Certification Institute, File 2387800-3250-0002/120746, 2009-09-08 is available on request.

■ International Certificates

FCC Part 15, Subpart B, File 09047-AU01+E01

VCCI 2001-08 (Japan)

RCM (AS/NZS 4417.1, Supplier Number E804)

KCC 9BKK-153C-216U-R1JG, XWK-303x-06-xxx (A)
(South Korea)

■ Other Certificates

Listed on USB Integrators List.

VDE License No. 129382

C-UL-US listed I.T.E. Accessory 10 WB, E-File 211202

The encryption device is only for use with UL Listed PCs (low power system). Meets UL 60950-1 and CSA C22.2 No. 60950-1 Safety of Information Technology Equipment.

SGS testing report CE/2008/B5778, December 2008

All WibuBox/RU+ are fully compliant according to EC Directives 2002/95/EC (RoHS) and 2002/96/EC (WEEE).

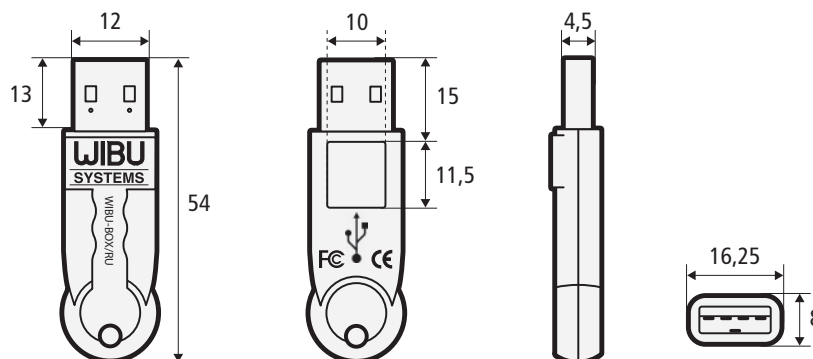


방송통신위원회



RoHS compliant
WEEE-Reg-No:
DE 90465365

All dimensions in millimeter.
Subject to change without notice.



WIBU-SYSTEMS AG
Rueppurrer Strasse 52-54
D-76137 Karlsruhe
Tel: +49-721-93172-0
Fax: +49-721-93172-22
info@wibu.com
www.wibu.com

WIBU
SYSTEMS